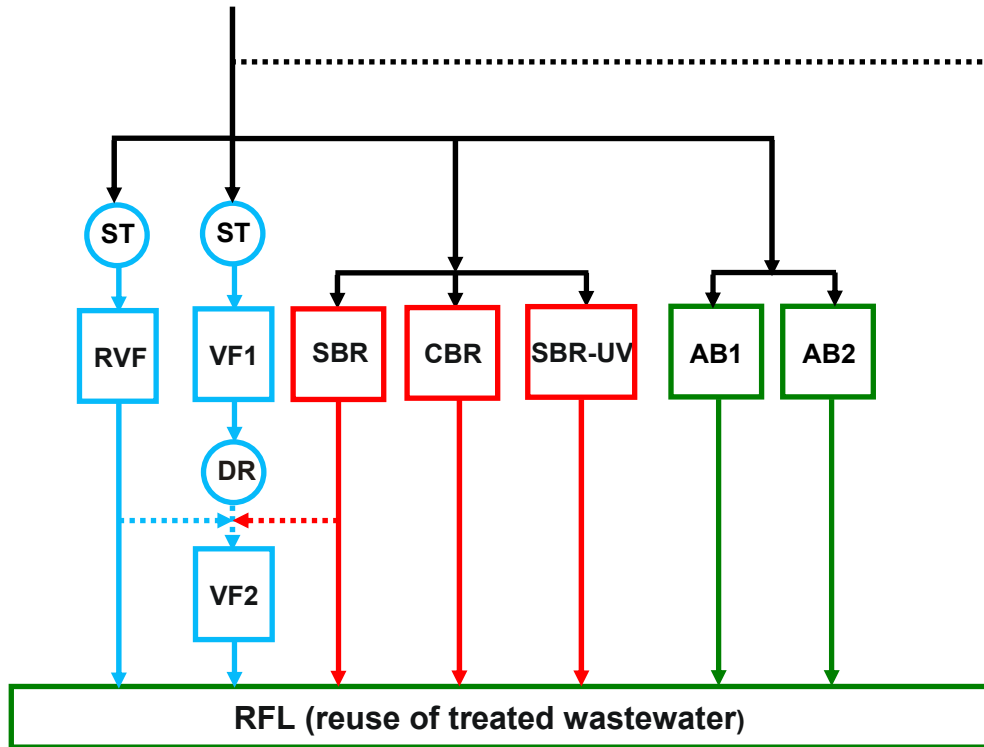


Raw wastewater (المياه العادمة الخام)



HUBER SE

PS pipe strainer
HU hydrolysis unit
ABR anaerobic bioreactor

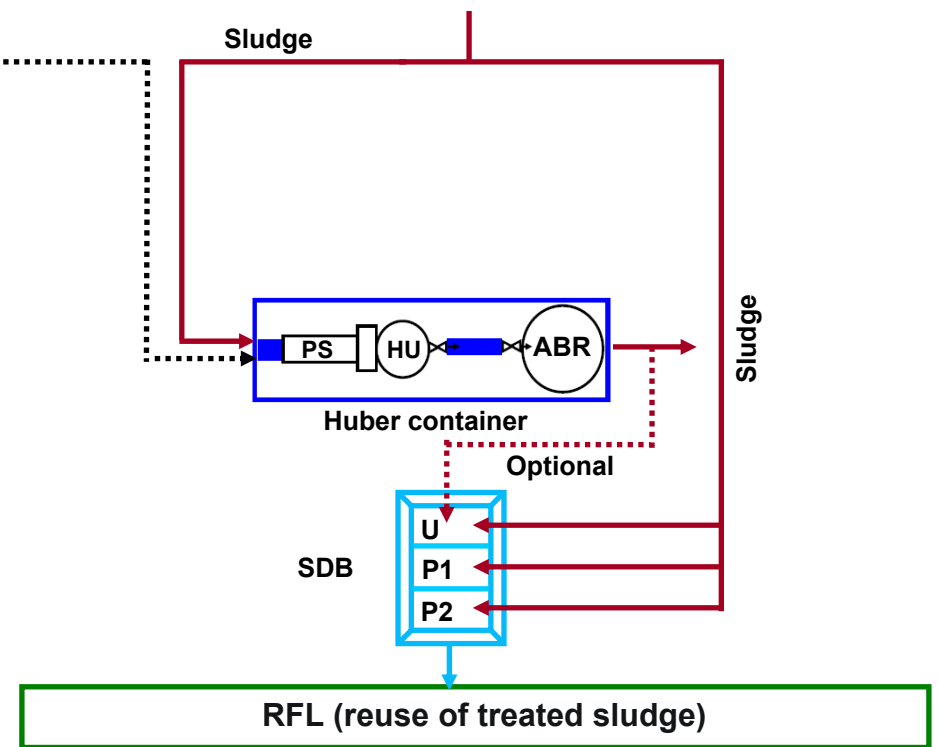
ATB Env. Tech. Ltd.

SBR sequencing batch reactor
CBR continious batch reactor
SBR-UV sequencing batch reactor with UV light

UFZ Leipzig GmbH

ST septic tank
VF1 single pass vertical filter (1st stage)
VF2 single pass vertical filter (2nd stage)
RVF recirculating vertical filter
DR denitrification reactor

Sewage sludge (الحمأة)



UFZ Leipzig GmbH

SDB sludge drying beds
U unplanted sludge drying bed (control)
P1 planted (reed) sludge drying bed 1
P2 planted (reed) sludge drying bed 2

Al-Balqa' Appl. Uni.

AB1 attched growth modified septic tank
AB2 suspended growth modified septic tank
RFL research farmland for reuse options